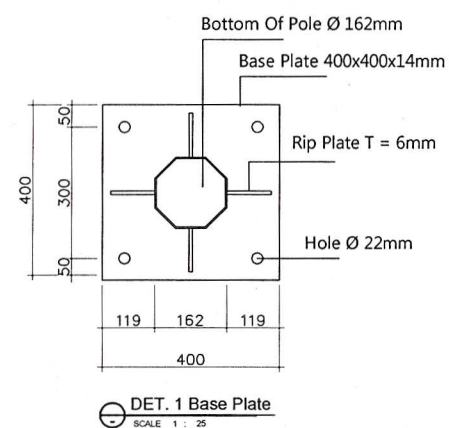
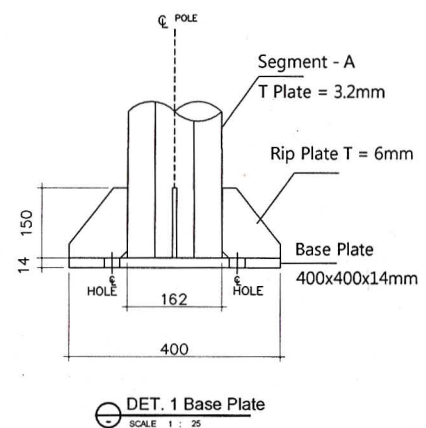
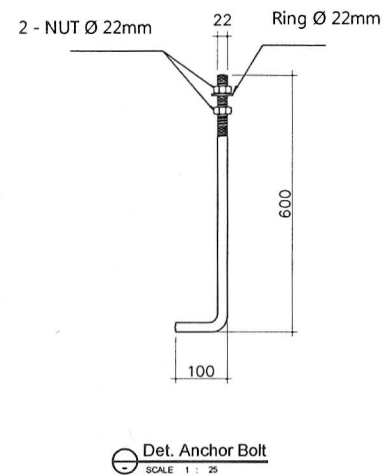
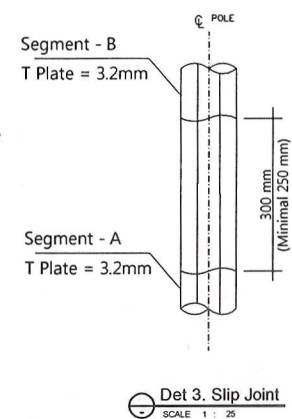
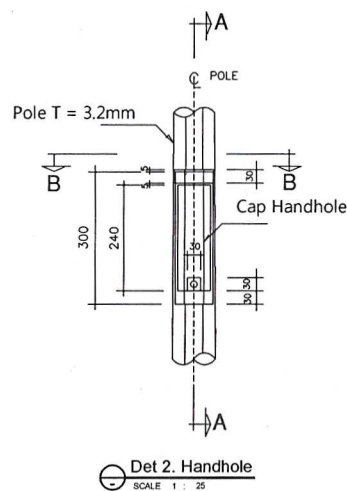
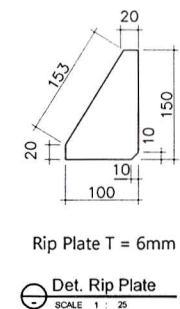
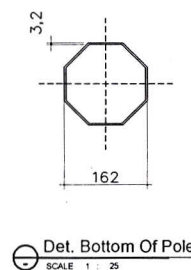
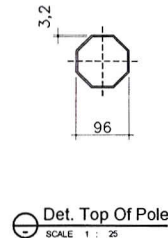


Tiang PJU H-10 M Double T  
SCALE 1 : 25  
OCTAGONAL



KETERANGAN

STANDART MUTU :

- ISO 9001 : 2008
- Plate Baja : ST 41 / SS 400
- Welding : Las Listrik
- Finishing Hot Dip Galvanize
- Segment System Slip Joint
- Segment A = 5000mm
- Segment B = 5000mm
- Bottom Of Pole Ø 162mm
- Base Plate 400x400x14mm

PRODUCTION :



PT. HELORI GRAHASARANA

JOB TITLE :

TECHNICAL SPECIFICATION

CLIENT :

PRODJECT :

DRAWING TITLE :

TIANG PJU OCTAGONAL  
H-10M DOUBLE T

DATE	CLIENT APPROVAL	APPROVAL
------	-----------------	----------



CAD	DESIGN	CHECK
-----	--------	-------

Auto CAD 2009	Dwi. Y	Efi
---------------	--------	-----

DRAWING NO : DT-H10	SHEET NO : SHEET 1 Of 1
------------------------	----------------------------