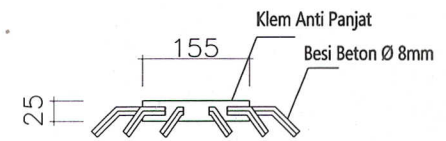
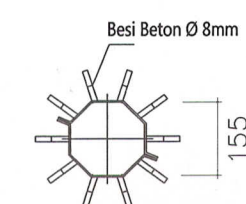


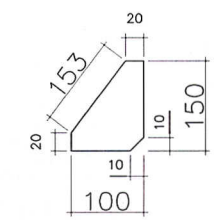
DET 3. BRACKET MODUL SOLAR CELL  
SCALE 1 : 25



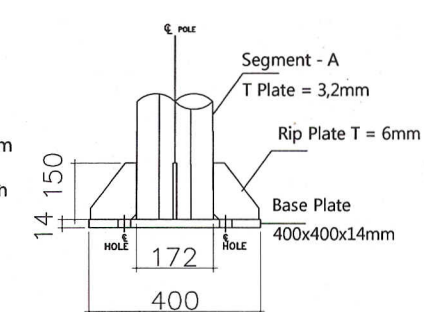
DET 2. KLEM ANTI PANJAT  
SCALE 1 : 25



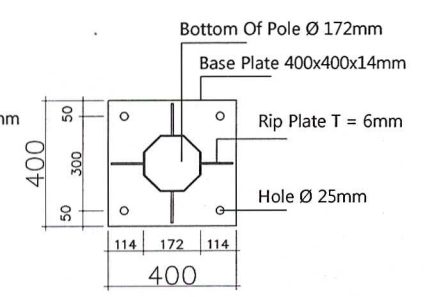
DET 2. KLEM ANTI PANJAT  
SCALE 1 : 25



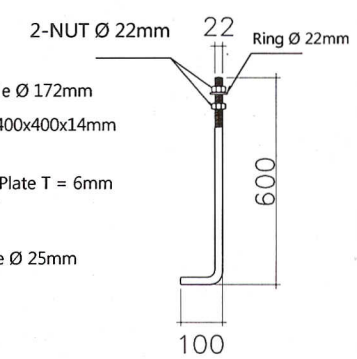
DET 1. RIP PLATE  
SCALE 1 : 25



DET 1. BASE PLATE  
SCALE 1 : 25



DET 1. BASE PLATE  
SCALE 1 : 25



DET 1. ANCHOR BOLT  
SCALE 1 : 25

TIANG PJU H-11M ST TYPE SC  
SCALE 1 : 100

OCTAGONAL

KETERANGAN

TECHNICAL SPECIFICATION :

- ISO 9001 : 2008
- Plate Baja : ST 41 / SS 400
- Welding : Las Listrik
- Finishing Hot Dip Galvanize
- Segment System Slip Joint
- Segment A = 6000mm
- Segment B = 5300mm
- Bottom Of Pole Ø 172mm
- Base Plate 400x400x14mm

PRODUCTION :



PT. HELORI GRAHASARANA

JOB TITLE :

TECHNICAL SPECIFICATION  
POLE SOLAR CELL

CLIENT :

TOTAL :

DRAWING TITLE :

TIANG PJU OCTAGONAL  
H-11M SINGLE T

DATE	CLIENT APPROVAL	APPROVAL
CAD	DESIGN	CHECK
Auto CAD 2009		
	Dwi. Y	Efi
DRAWING NO : RL-ST-SC-H11M	SHEET NO : SHEET 1 of 1	