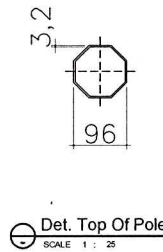
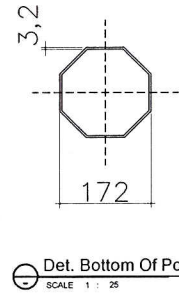


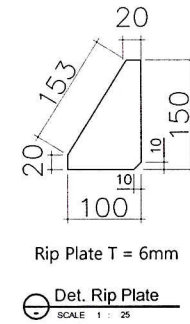
Tiang PJU H-12 M Single T
SCALE 1 : 25
OCTAGONAL



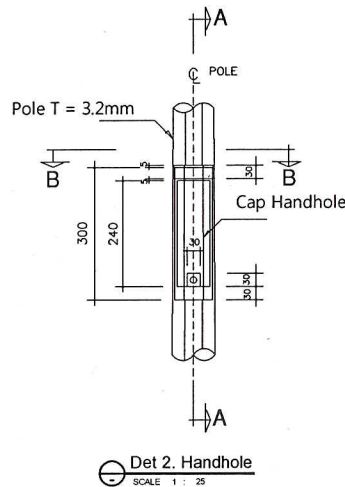
Det. Top Of Pole
SCALE 1 : 25



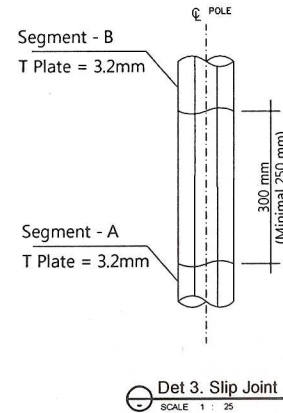
Det. Bottom Of Pole
SCALE 1 : 25



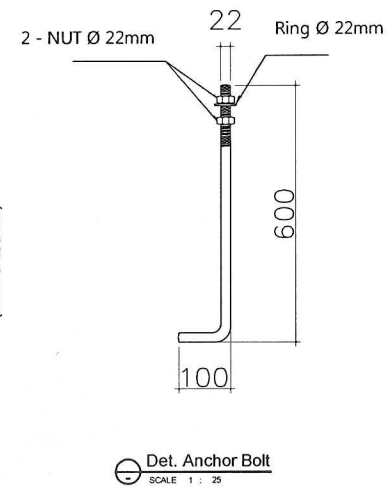
Det. Rip Plate
SCALE 1 : 25



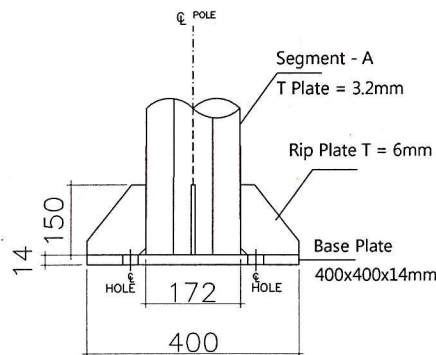
Det 2. Handhole
SCALE 1 : 25



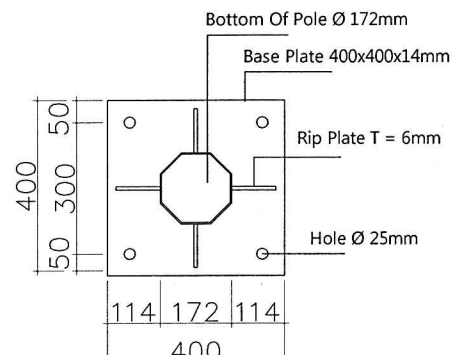
Det 3. Slip Joint
SCALE 1 : 25



Det. Anchor Bolt
SCALE 1 : 25



DET. 1 Base Plate
SCALE 1 : 25



DET. 1 Base Plate
SCALE 1 : 25

KETERANGAN

STANDART MUTU :

- ISO 9001 : 2008
- Plate Baja : ST 41 / SS 400
- Welding : Las Listrik
- Finishing Hot Dip Galvanize
- Segment System Slip Joint
- Segment A = 6000mm
- Segment B = 6000mm
- Bottom Of Pole Ø 172mm
- Base Plate 400x400x14mm

PRODUCTION :



PT. HELORI GRAHASARANA

JOB TITLE :

TECHNICAL SPECIFICATION

CLIENT :

PROJECT :

DRAWING TITLE :

**TIANG PJU OCTAGONAL
H-12M SINGLE T**

| DATE | CLIENT APPROVAL | APPROVAL |
|---------------|-----------------|----------|
| | | |
| | Risawan. W | |
| CAD | DESIGN | CHECK |
| Auto CAD 2009 | Dwi. Y | Efi |