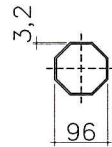
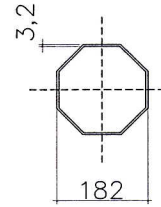


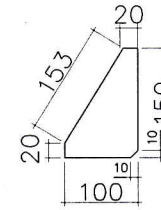
Tiang PJU H-13 M Double T
SCALE 1 : 25
OCTAGONAL



Det. Top Of Pole
SCALE 1 : 25

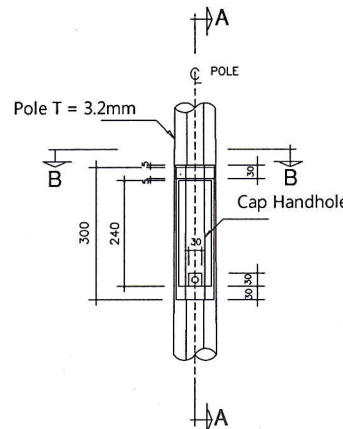


Det. Bottom Of Pole
SCALE 1 : 25

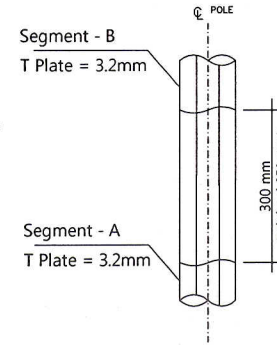


Rip Plate T = 6mm

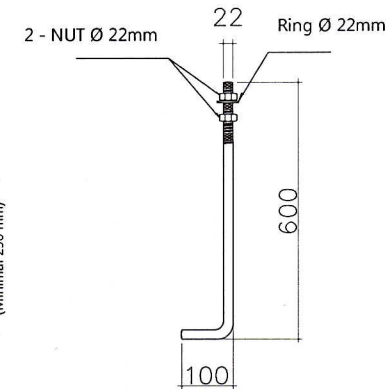
Det. Rip Plate
SCALE 1 : 25



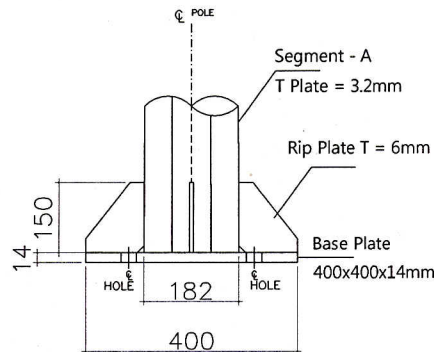
Det 2. Handhole
SCALE 1 : 25



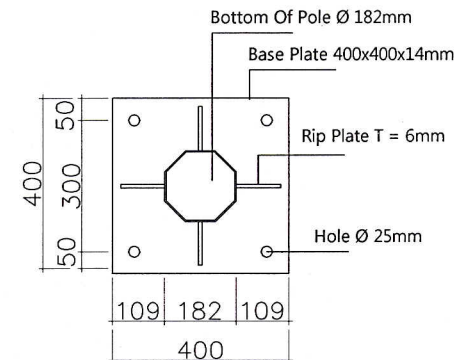
Det 3. Slip Joint
SCALE 1 : 25



Det. Anchor Bolt
SCALE 1 : 25



DET. 1 Base Plate
SCALE 1 : 25



DET. 1 Base Plate
SCALE 1 : 25

KETERANGAN

STANDART MUTU :

- ISO 9001 : 2008
- Plate Baja : ST 41 / SS 400
- Welding : Las Listrik
- Finishing Hot Dip Galvanize
- Segment System Slip Joint
- Segment A = 6000mm
- Segment B = 4000mm
- Segment C = 3300mm
- Bottom Of Pole Ø 182mm
- Base Plate 400x400x14mm

PRODUCTION :



PT. HELORI GRAHASARANA

JOB TITLE :

TECHNICAL SPECIFICATION

CLIENT :

PRODUCT :

DRAWING TITLE :

**TIANG PJU OCTAGONAL
H-13M DOUBLE T**

DATE	CLIENT APPROVAL	APPROVAL
		 Risawan. W.
CAD	DESIGN	CHECK
Auto CAD 2009	Dwi. Y	Efi
DRAWING NO : DT-H13		SHEET NO : SHEET 1 Of 1