

KETERANGAN

STANDART MUTU :

- ISO 9001 : 2008
- Plate Baja : ST 41 / SS 400
- Welding : Las Listrik
- Finishing Hot Dip Galvanize
- Segment System Slip Joint
- Segment A = 5000mm
- Segment B = 6000mm
- Segment C = 2600mm
- Bottom Of Pole Ø 182mm
- Base Plate 400x400x14mm

PRODUCTION :



PT. HELORI GRAHASARANA

JOB TITLE :

TECHNICAL SPECIFICATION

CLIENT :

PROJECCT :

DRAWING TITLE :

TIANG PJU OCTAGONAL  
H-13M SINGLE PARABOLE

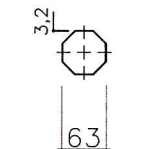
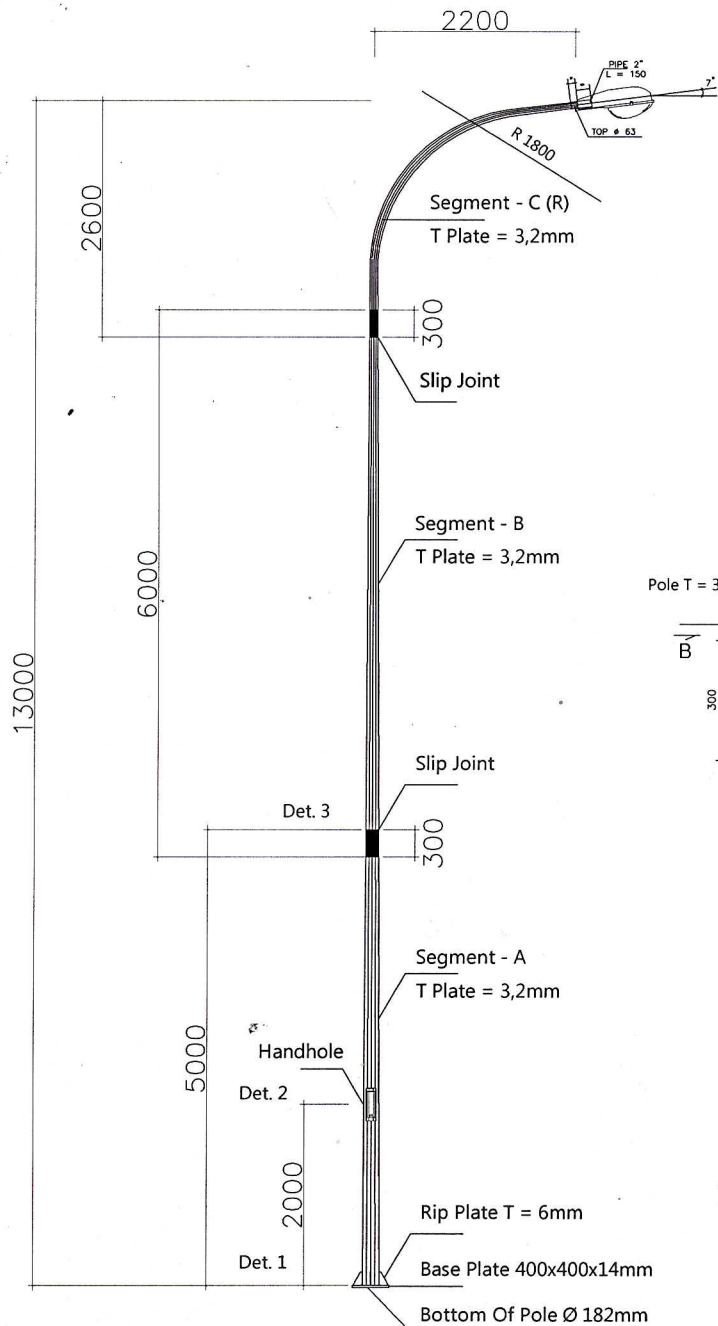
DATE	CLIENT APPROVAL	APPROVAL



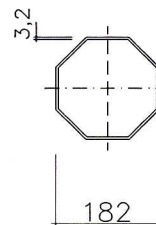
CAD	DESIGN	CHECK

Auto CAD 2009	Dwi, Y	Efi
---------------	--------	-----

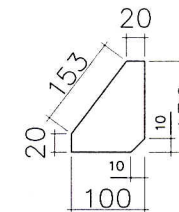
DRAWING NO :	SHEET NO :
RL-SP-H13	SHEET 1 Of 1



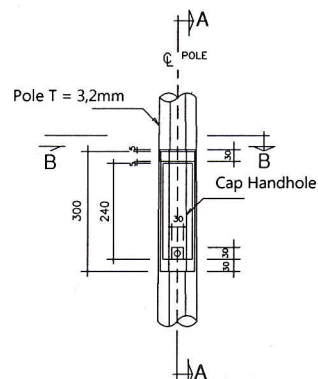
Det. Top Of Pole  
SCALE 1 : 25



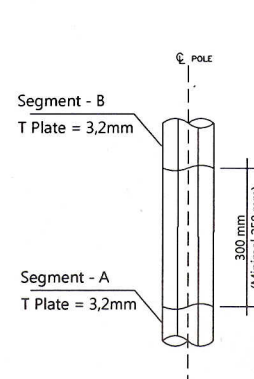
Det. Bottom Of Pole  
SCALE 1 : 25



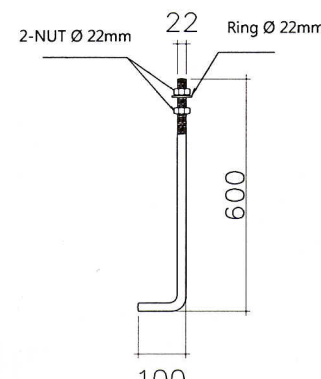
Det. Rip Plate  
SCALE 1 : 25



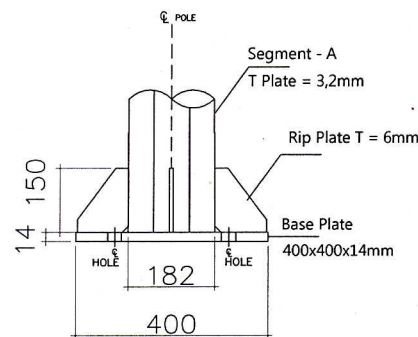
Det 2. Handhole  
SCALE 1 : 25



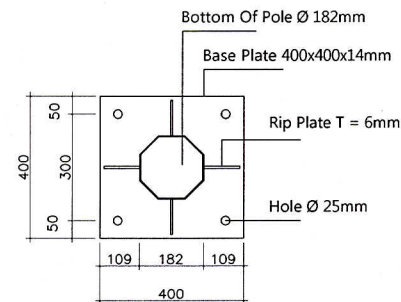
Det 3. Slip Joint  
SCALE 1 : 25



Det. Anchor Bolt  
SCALE 1 : 25



DET. 1 Base Plate  
SCALE 1 : 25



DET. 1 Base Plate  
SCALE 1 : 25

TIANG PJU H-13M SINGLE PARABOLE  
SCALE 1 : 25

OCTAGONAL