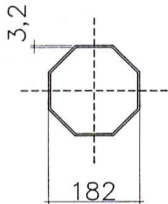
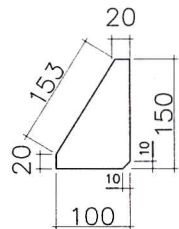


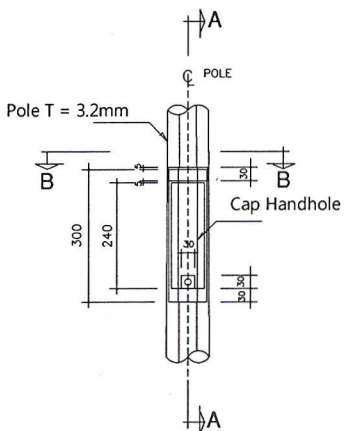
Det. Top Of Pole
 SCALE 1 : 25



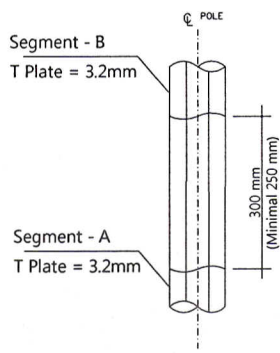
Det. Bottom Of Pole
 SCALE 1 : 25



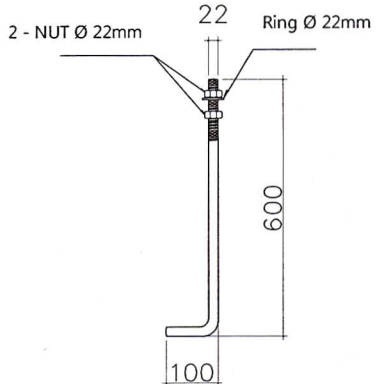
Rip Plate T = 6mm
 Det. Rip Plate
 SCALE 1 : 25



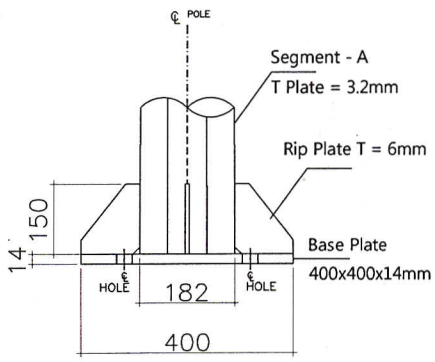
Det 2. Handhole
 SCALE 1 : 25



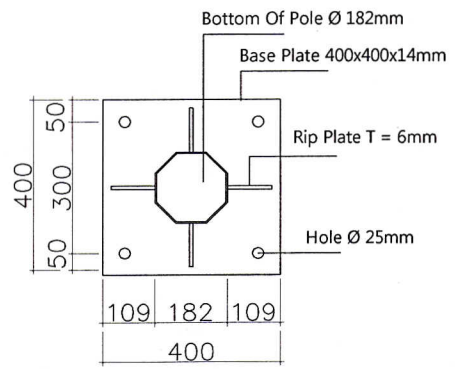
Det 3. Slip Joint
 SCALE 1 : 25



Det. Anchor Bolt
 SCALE 1 : 25



DET. 1 Base Plate
 SCALE 1 : 25



DET. 1 Base Plate
 SCALE 1 : 25

Tiang PJU H-13 M Single T
 SCALE 1 : 25
 OCTAGONAL

KETERANGAN

STANDART MUTU :

- ISO 9001 : 2008
- Plate Baja : ST 41 / SS 400
- Welding : Las Listrik
- Finishing Hot Dip Galvanize
- Segment System Slip Joint
- Segment A = 6000mm
- Segment B = 4000mm
- Segment C = 3300mm
- Bottom Of Pole Ø 182mm
- Base Plate 400x400x14mm

PRODUCTION :



PT. HELORI GRAHASARANA

JOB TITLE :

TECHNICAL SPECIFICATION

CLIENT :

PROJECCT :

DRAWING TITLE :

TIANG PJU OCTAGONAL
 H-13M SINGLE T

DATE	CLIENT APPROVAL	APPROVAL
		Risawan. W
CAD	DESIGN	CHECK
Auto CAD 2009	Dwi. Y	Efi

DRAWING NO :

ST-H13

SHEET NO :

SHEET 1 of 1