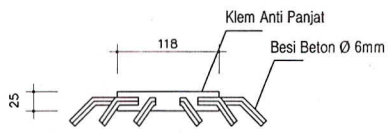
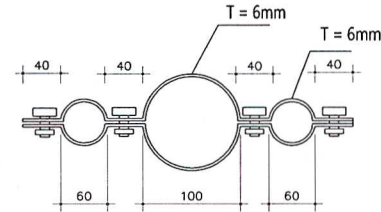


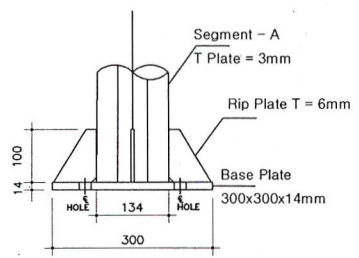
Det. 2. Klem Anti Panjat
SCALE 1 : 25



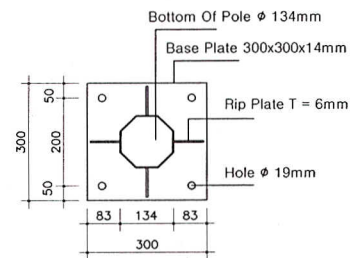
Det. 2. Klem Anti Panjat
SCALE 1 : 25



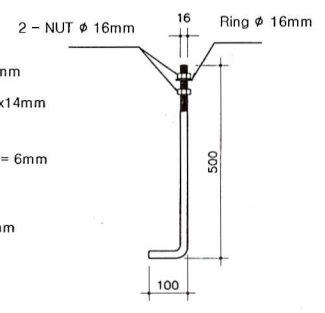
Det. Klem Ornamen
SCALE 1 : 25



DET. 1 Base Plate
SCALE 1 : 25



DET. 1 Base Plate
SCALE 1 : 25



Det. Anchor Bolt
SCALE 1 : 25

TIANG PJU H-06M DP TYPE SC
SCALE 1 : 100
OCTAGONAL

KETERANGAN

STANDART MUTU :

- ISO 9001 : 2008
- Plate Baja : ST 41 / SS 400
- Welding : Las Listrik
- Finishing Hot Dip Galvanize
- Segment A = 6000mm
- Bottom Of Pole Ø 134mm
- Base Plate 300x300x14mm
- Anchor Bolt Ø 16mm

PRODUCTION :

JOB TITLE :

TECHNICAL SPECIFICATION

CLIENT :

TOTAL :

DRAWING TITLE :

TIANG PJU OCTAGONAL
H-06M DP TYPE SOLAR CELL

DATE	CLIENT APPROVAL	APPROVAL
------	-----------------	----------

Risawan. W

CAD	DESIGN	CHECK
-----	--------	-------

Auto CAD 2009
Dwi. Y
Efi

DRAWING NO :	SHEET NO :
HELORI-H06-DP-SC	SHEET 1 Of 1