





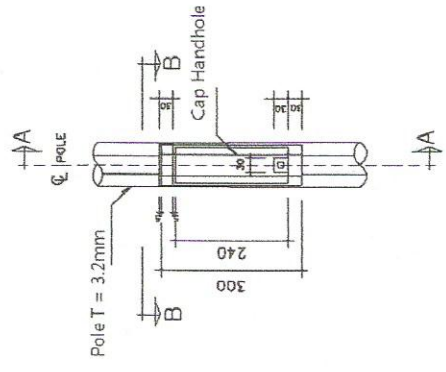
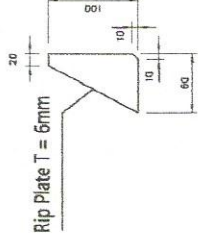


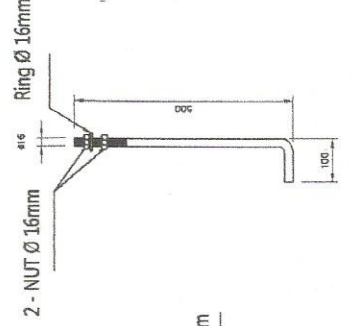
|   |   |
|---|---|
| KETERANGAN  |   |
| STANDART MUTU :   |   |
| •   | ISO 9001 : 2008   |
| •   | Plate Baja : ST 41 / SS 400   |
| •   | Welding : Las Listrik   |
| •   | Finishing Hot Dip Galvanize   |
| •   | Segment A = 5800mm  |
| •   | Bottom Of Pole Ø 163mm  |
| •   | Base Plate 300x300x14mm   |
| •   | Anchor Bolt Ø 16mm  |
| PRODUCTION :  |   |
|  |   |
| PT. HELORI GRAHASARANA  |   |
| JOB TITLE :   |   |
| TECHNICAL SPECIFICATION   |   |
| CLIENT :  |   |
| TOTAL :   |   |
| DRAWING TITLE :   |   |
| PALM POLE H-06M DT  |   |
| DATE  | CLIENT APPROVAL   |
|   |   |
| CAD   | DESIGN  |
| Auto CAD 2009   | Dw/V  |
|   |  |
|   |   |
|   |  |
|   |   |
| DRAWING NO :  | SHEET NO :  |
| HELORI-H06-DT   | SHEET 1.011   |



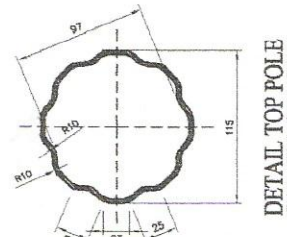
DETAIL HANDHOLE



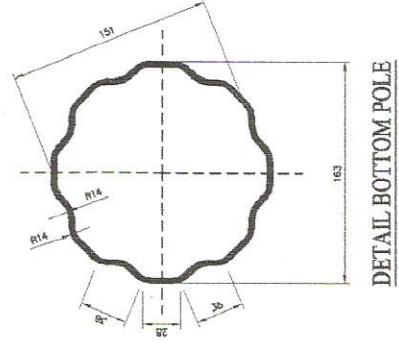
DET. RIP PLATE



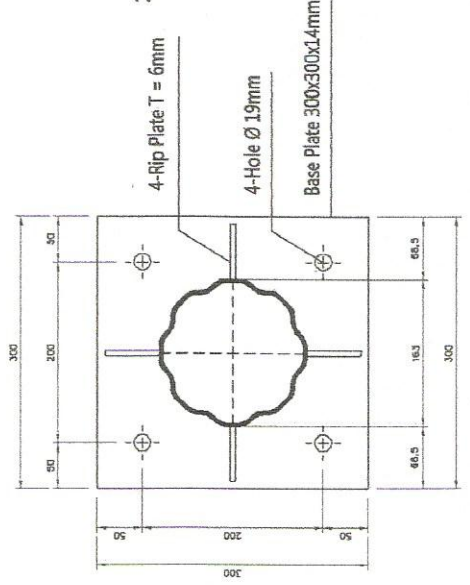
DET. ANCHOR BOLT



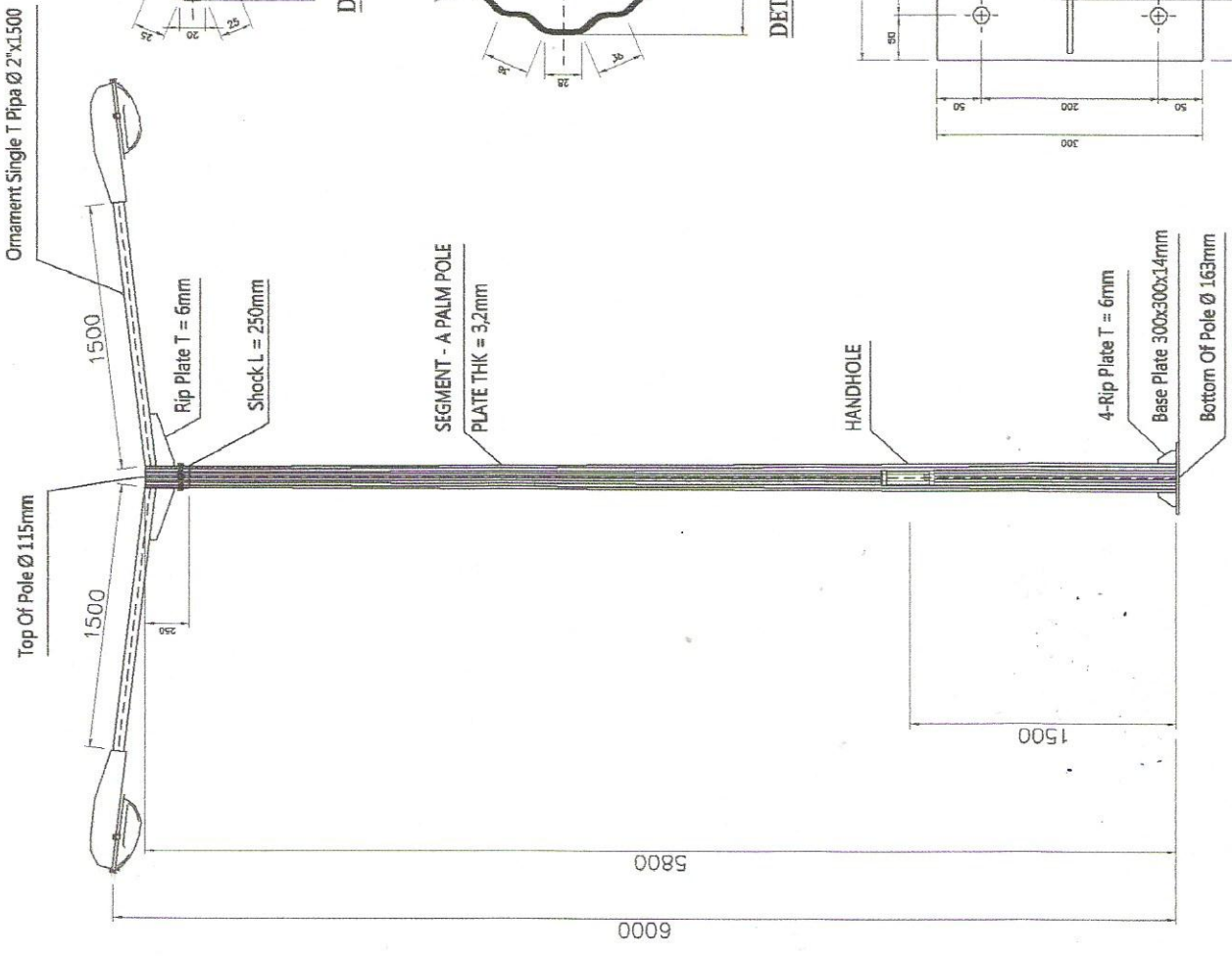
DETAIL TOP POLE



DETAIL BOTTOM POLE



DETAIL BASE PLATE



PALM POLE H-06M ST