



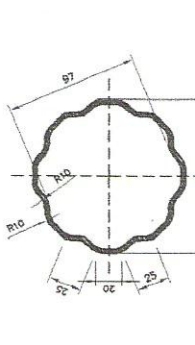
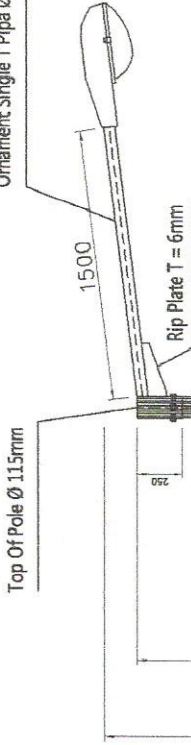
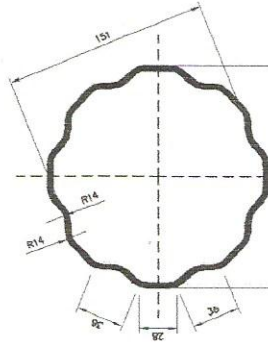


<b>KETERANGAN</b>		
STANDART MUTU :		
•	ISO 9001 : 2008	
•	Plate Baja : ST 41 / SS 400	
•	Welding : Las Listrik	
•	Finishing Hot Dip Galvanize	
•	Segment A = 5800mm	
•	Bottom Of Pole $\varnothing$ 163mm	
•	Base Plate 300x300x14mm	
•	Anchor Bolt $\varnothing$ 16mm	
PRODUCTION :		
		
PT. HELORI GRAHASARANA		
JOB TITLE :		
TECHNICAL SPECIFICATION		
CLIENT :		
TOTAL :		
DRAWING TITLE :		
PALM POLE H-06M ST		
DATE	CLIENT APPROVAL	APPROVAL
		
CAD	DESIGN	CHECK
Auto CAD 2009	 DwN	 Zulianto
DRAWING NO :	HELORI-H06-SC	SHEET NO :
		SHEET 1 of 1

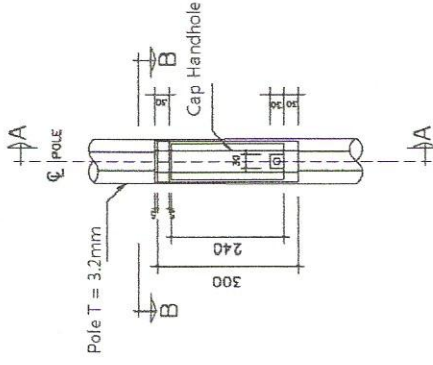
Ornament Single T Pipa  $\varnothing$  2"x1500



DETAIL TOP POLE



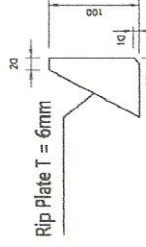
DETAIL BOTTOM POLE



DETAIL HANDHOLE

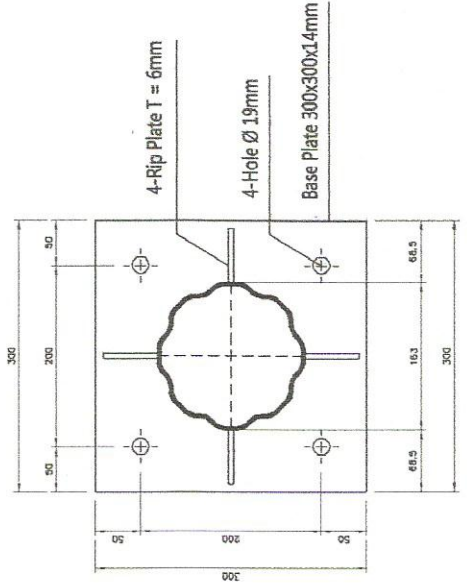
SEGMENT - A PALM POLE

PLATE THK = 3,2mm

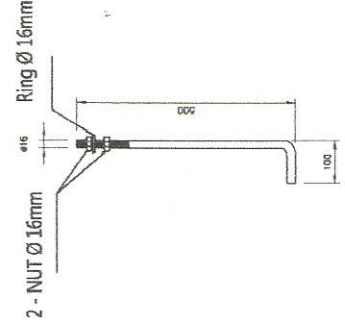


DET. RIP PLATE

HANDHOLE



DETAIL BASE PLATE



DET. ANCHOR BOLT

PALM POLE H-06M ST