

**KETERANGAN**

- STANDART MUTU :
- ISO 9001 : 2008
  - Plate Baja : ST 41 / SS 400
  - Welding : Las Listrik
  - Finishing Hot Dip Galvanize
  - Segment System Slip Joint
  - Segment A = 4000mm
  - Segment B = 3300mm
  - Bottom Of Pole Ø 138mm
  - Base Plate 300x300x14mm

PRODUCTION :

JOB TITLE :

**TECHNICAL SPECIFICATION**

CLIENT :

TOTAL :

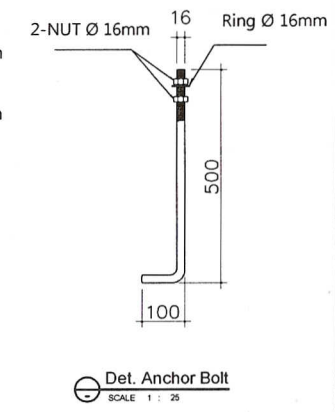
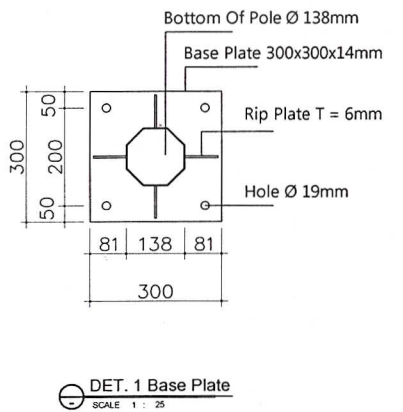
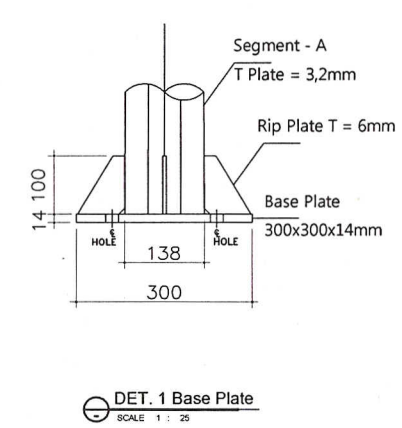
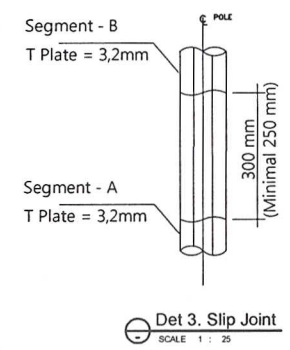
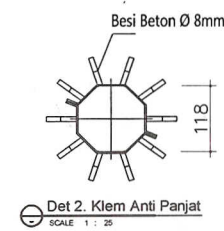
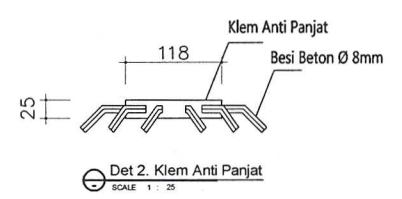
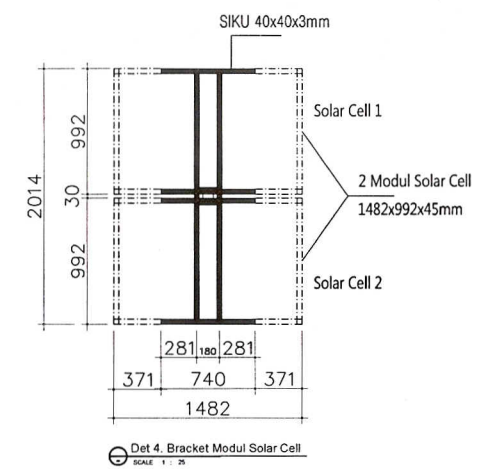
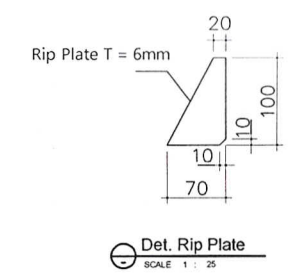
DRAWING TITLE :

**TIANG PJU OCTAGONAL  
H-07M DT TYPE SOLAR CELL**

DATE	CLIENT APPROVAL	APPROVAL

CAD	DESIGN	CHECK
Auto CAD 2009	Dwi. Y	Efi

DRAWING NO : HELORI-H07-DT-SC  
SHEET NO : SHEET 1 Of 1



**TIANG PJU H-07M DT TYPE SC**  
SCALE 1 : 100  
**OCTAGONAL**