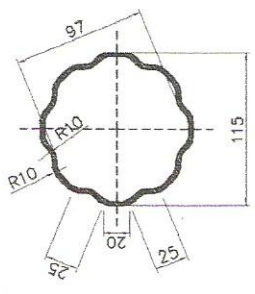
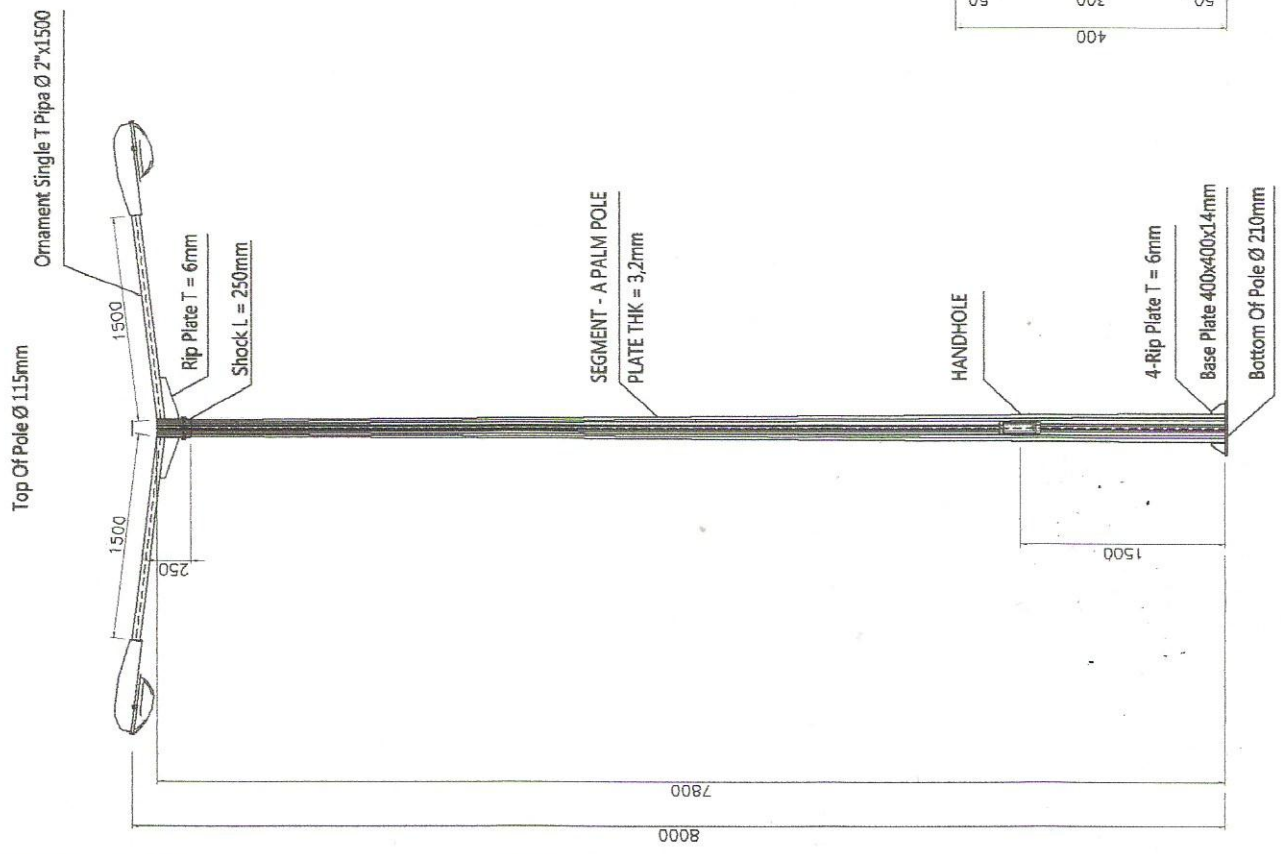
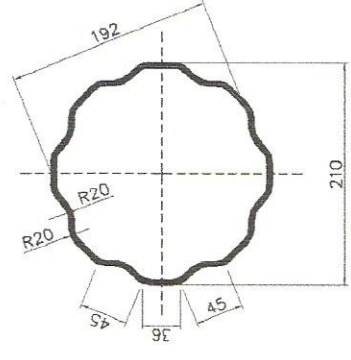


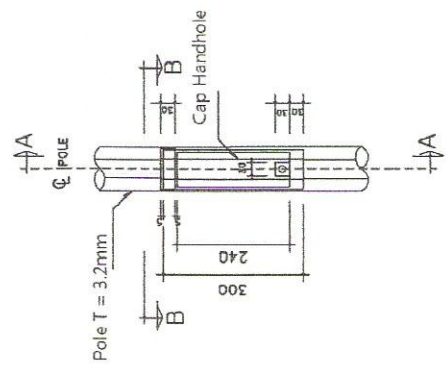
KETERANGAN		
STANDART MUTU :		
•	ISO 9001 : 2008	
•	Plate Baja : ST 41 / SS 400	
•	Welding : Las Listrik	
•	Finishing Hot Dip Galvanize	
•	Segment A = 7800mm	
•	Bottom Of Pole $\varnothing$ 210mm	
•	Base Plate 400x400x14mm	
•	Anchor Bolt $\varnothing$ 19mm	
PRODUCTION :		
PT. HELORI GRAHASARANA		
JOB TITLE :		
TECHNICAL SPECIFICATION		
CLIENT :		
TOTAL :		
DRAWING TITLE :		
PALM POLE H-08M DT		
DATE	CLIENT APPROVAL	APPROVAL
CAD	DESIGN	CHECK
Auto CAD 2009	Dwl	Zulianto
DRAWING NO :	SHEET NO :	
HELORI-H08-DT		SHEET 1 of 1



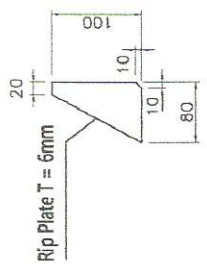
DETAIL TOP POLE



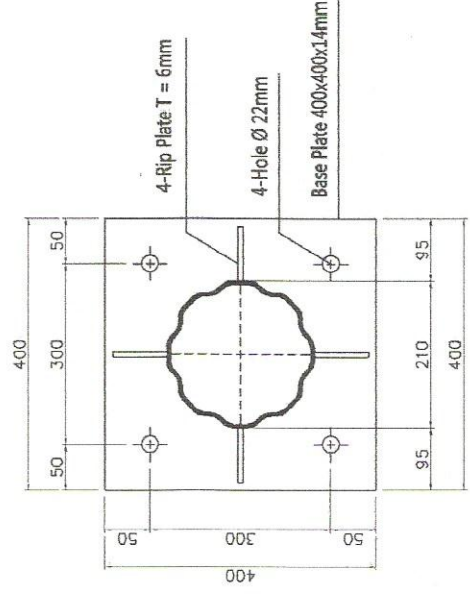
DETAIL BOTTOM POLE



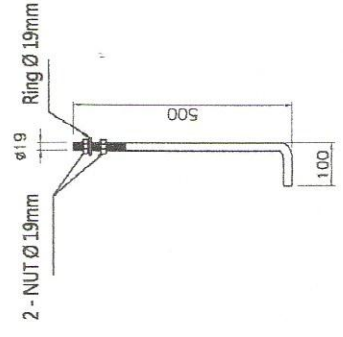
DETAIL HANDHOLE



DET. RIP PLATE



DETAIL BASE PLATE



DET. ANCHOR BOLT