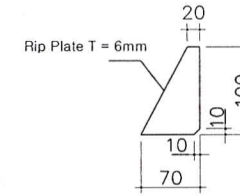
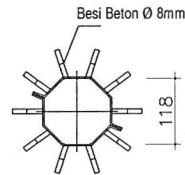


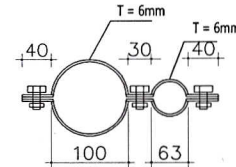
Det. 4. Bracket Modul Solar Cell  
SCALE 1 : 25



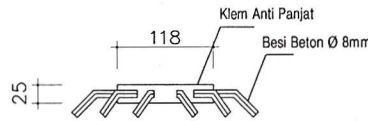
Det. Rip Plate  
SCALE 1 : 25



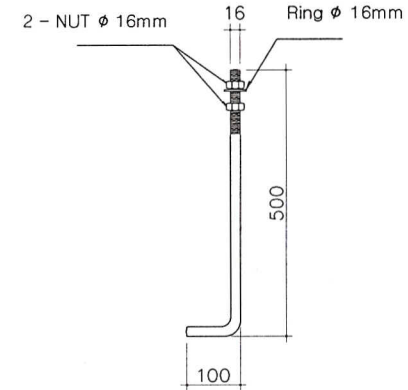
Det. 2. Klem Anti Panjang  
SCALE 1 : 25



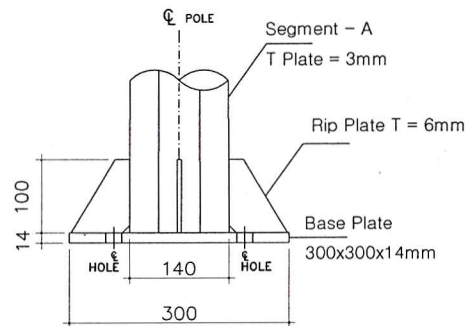
Det. Klem Ornament  
SCALE 1 : 25



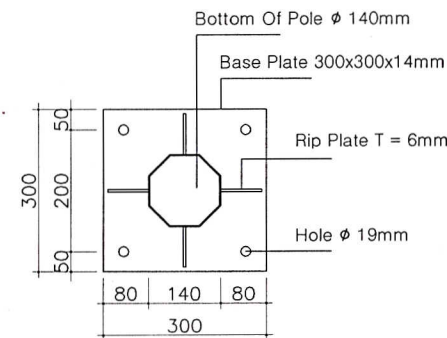
Det. 2. Klem Anti Panjang  
SCALE 1 : 25



DET. Anchor Bolt  
SCALE 1 : 25



DET. 1 Base Plate  
SCALE 1 : 25



DET. 1 Base Plate  
SCALE 1 : 25

TIANG PJU H-08M SP TYPE SC  
SCALE 1 : 100

OCTAGONAL

KETERANGAN

STANDART MUTU :

- ISO 9001 : 2008
- Plate Baja : ST 41 / SS 400
- Welding : Las Listrik
- Finishing Hot Dip Galvanize
- Segment System Slip Joint
- Segment A = 5000mm
- Segment B = 3300mm
- Bottom Of Pole  $\varnothing$  140mm
- Base Plate 300x300x14mm

JOB TITLE :

TECHNICAL SPECIFICATION

CLIENT :

TOTAL :

DRAWING TITLE :

**PJU OCTAGONAL H-08M  
TYPE SOLAR CELL SP**

| DATE          | CLIENT APPROVAL | APPROVAL   |
|---------------|-----------------|------------|
|               |                 |            |
|               |                 | Risawan, W |
| CAD           | DESIGN          | CHECK      |
| Auto CAD 2009 | Dwi. Y          | Efi        |

DRAWING NO : HELORI-H08-SP-SC SHEET NO : SHEET 1 OF 1