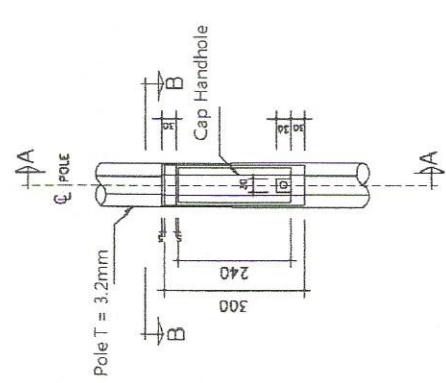
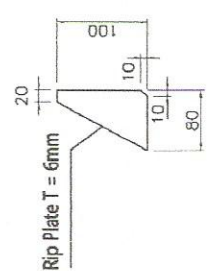


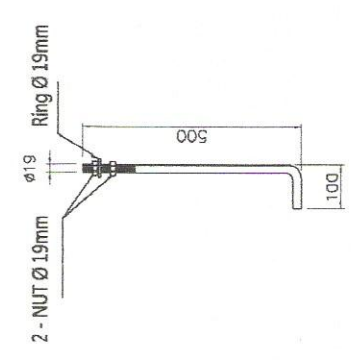
KETERANGAN		
STANDART MUTU :		
•	ISO 9001 : 2008	
•	Plate Baja : ST 41 / SS 400	
•	Welding : Las Listrik	
•	Finishing Hot Dip Galvanize	
•	Segment A = 7800mm	
•	Bottom Of Pole Ø 210mm	
•	Base Plate 400x400x14mm	
•	Anchor Bolt Ø 19mm	
PRODUCTION :		
PT. HELORI GRAHASARANA		
JOB TITLE :		
TECHNICAL SPECIFICATION		
CLIENT :		
TOTAL :		
DRAWING TITLE :		
PALM POLE H-08M ST		
DATE	CLIENT APPROVAL	APPROVAL
CAD	DESIGN	CHECK
Auto CAD 2009	Dwi Y	Zulianto
DRAWING NO. : HELORI-H08-ST		SHEET NO. : SHEET 1 OF 1



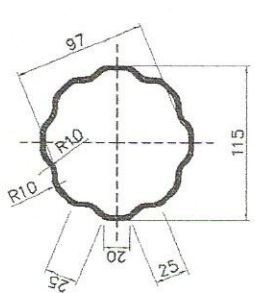
DETAIL HANDHOLE



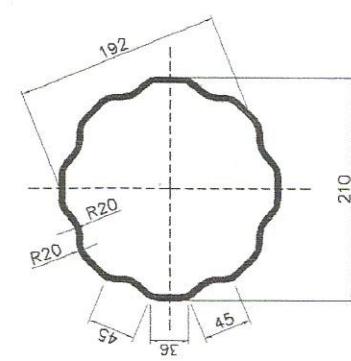
DET. RIP PLATE



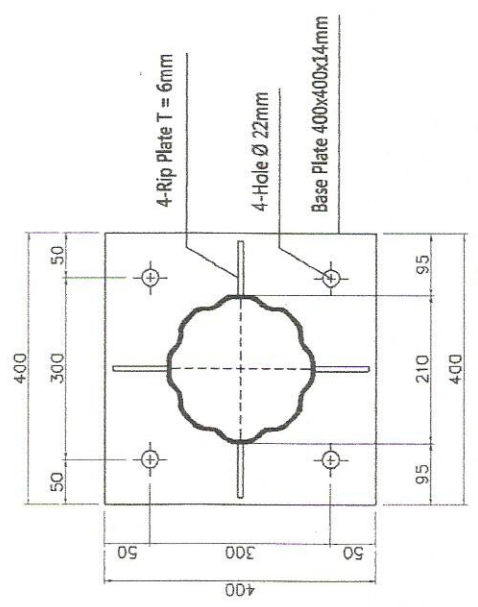
DET. ANCHOR BOLT



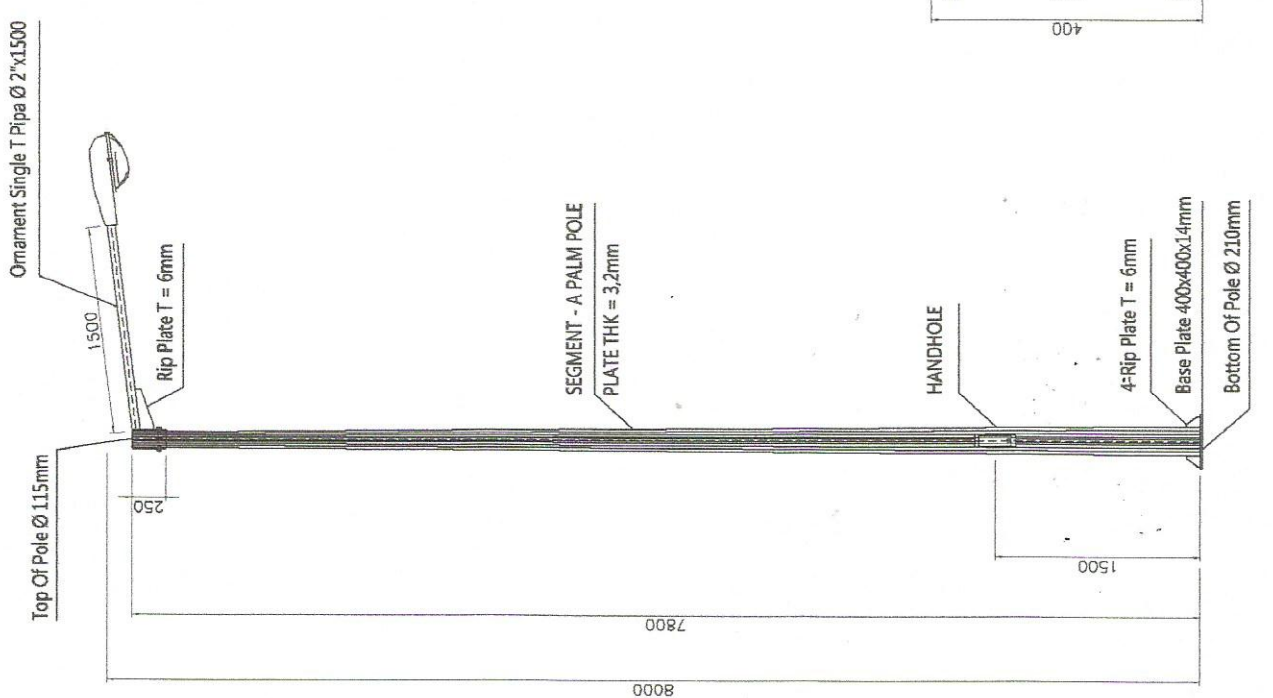
DETAIL TOP POLE



DETAIL BOTTOM POLE



DETAIL BASE PLATE



PALM POLE H-08M ST