
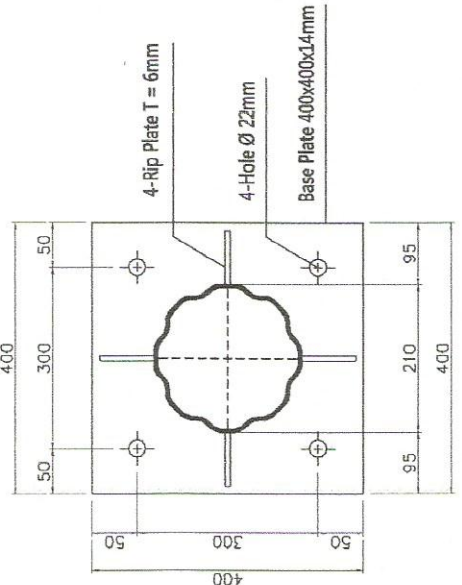
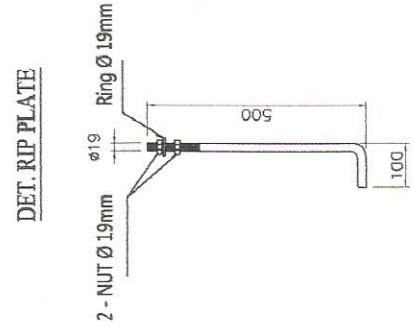
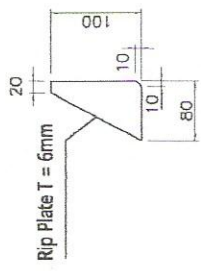
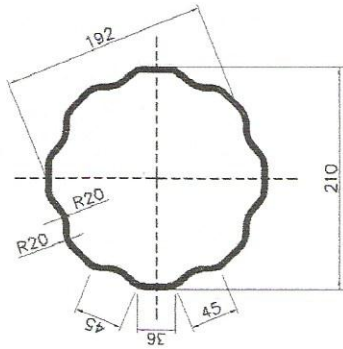
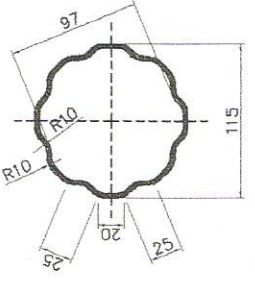
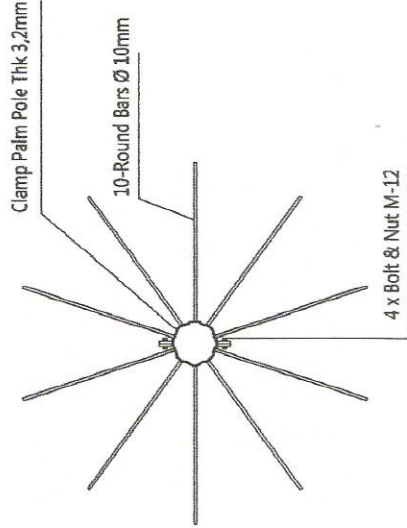
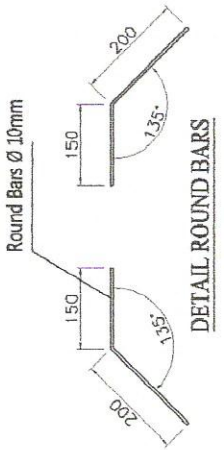
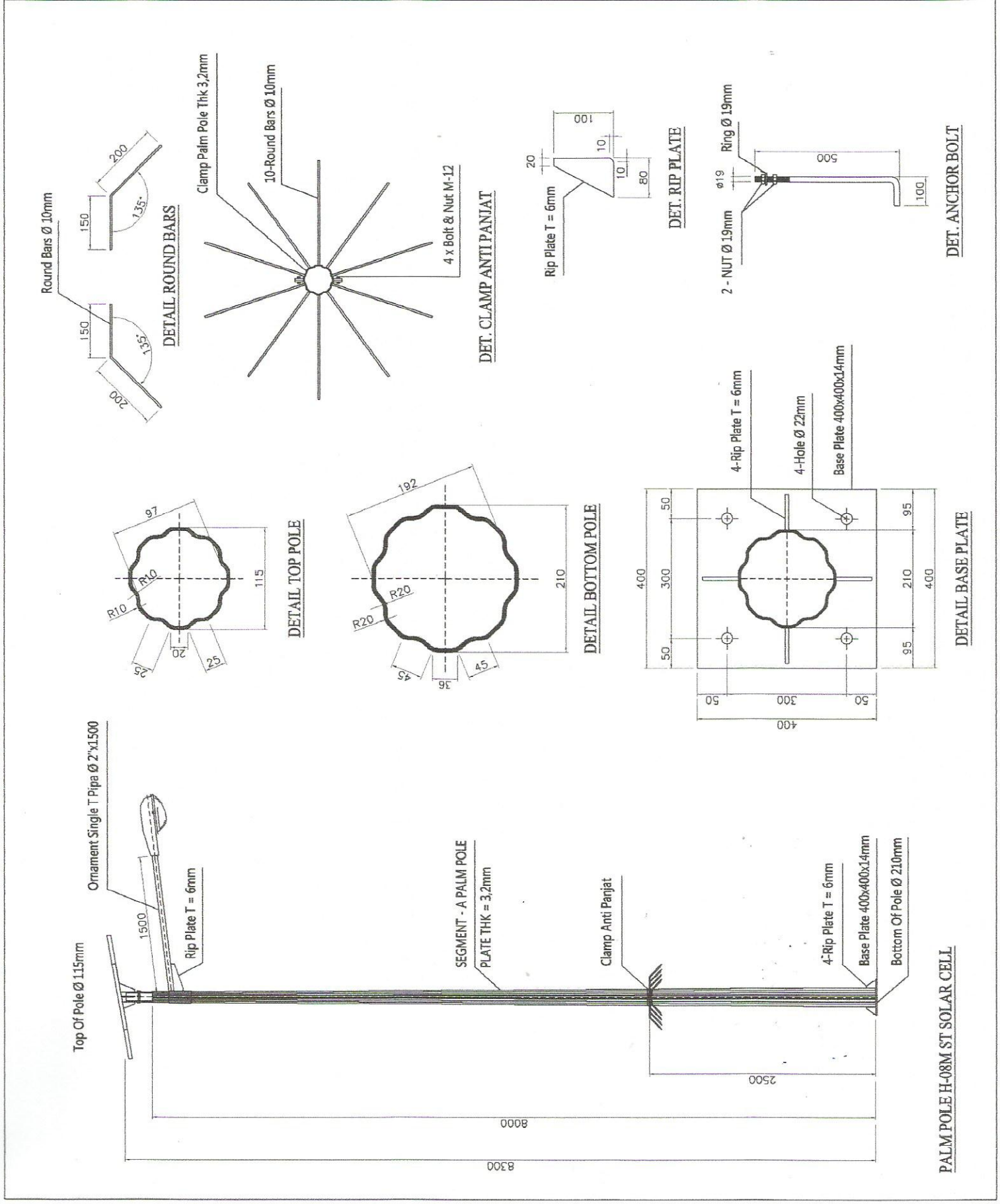

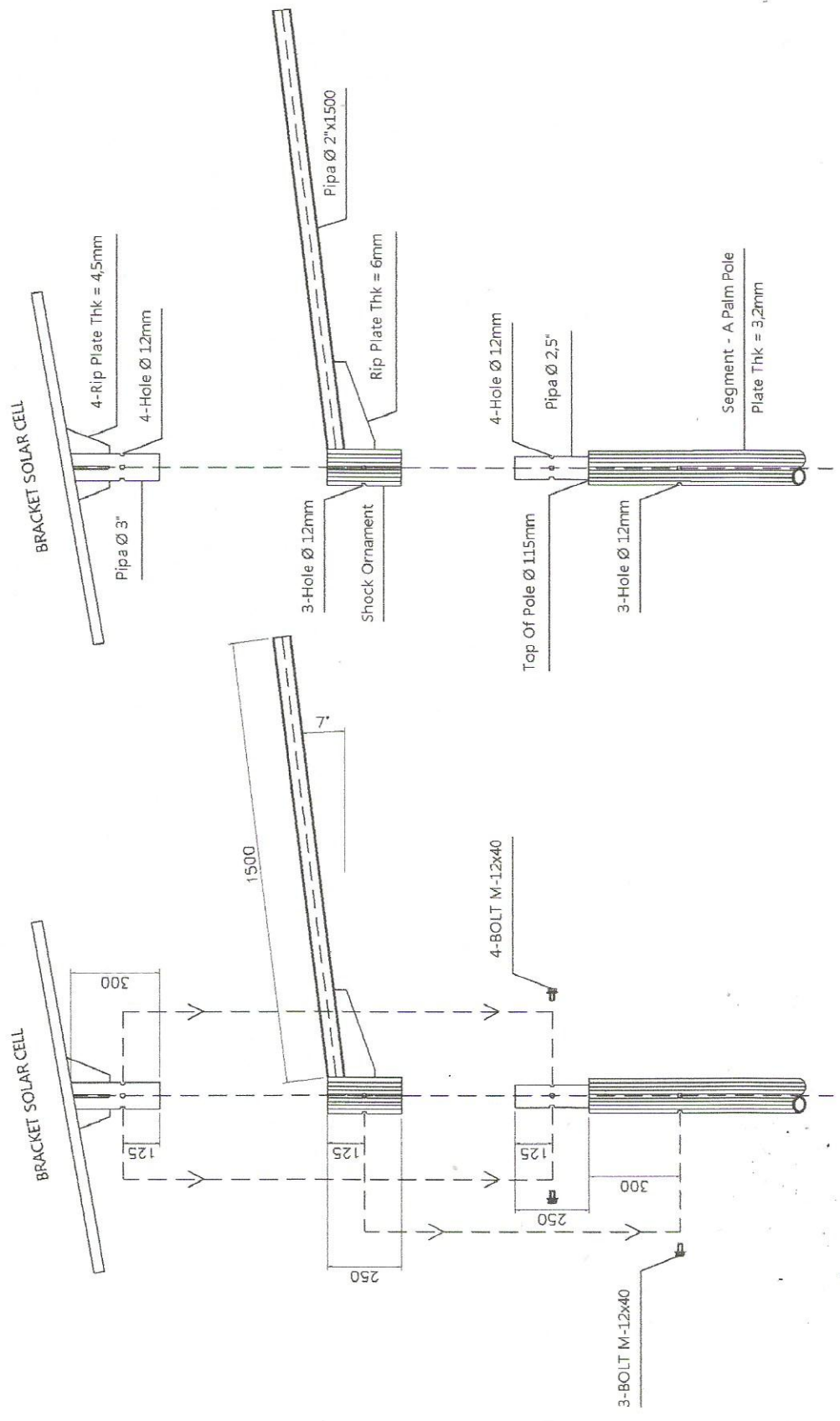


KETERANGAN	
STANDART MUTU :	
• ISO 9001 : 2008	
• Plate Baja : ST 41 / SS 400	
• Welding : Las Listrik	
• Finishing Hot Dip Galvanize	
• Segment A = 8000mm	
• Bottom Of Pole Ø 210mm	
• Base Plate 400x400x14mm	
• Anchor Bolt Ø 19mm	
PRODUCTION :	
	
PT. HELORI GRAHASARANA	
JOB TITLE :	
TECHNICAL SPECIFICATION	
CLIENT :	
TOTAL :	
DRAWING TITLE :	
PALM POLE H-08M ST TYPE SOLAR CELL	
DATE	CLIENT APPROVAL
CAD	DESIGN
Auto CAD 2009	CHK
	APPROVAL
	Risawan W
	CHECK
	Dwi Y
	Zulianto
DRAWING NO :	SHEET NO :
HELORI-H08-ST-SC	SHEET 1 of 1



PALM POLE H-08M ST SOLAR CELL

KETERANGAN	
STANDART MUTU :	
• ISO 9001 : 2008	
• Plate Baja : ST 41 / SS 400	
• Welding : Las Listrik	
• Finishing Hot Dip Galvanize	
• Segment A = 8000mm	
• Bottom Of Pole Ø 187mm	
• Base Plate 400x400x14mm	
• Anchor Bolt Ø 19mm	
PRODUCTION :	
	
PT. HELORI GRAHASARANA	
JOB TITLE :	
TECHNICAL SPECIFICATION	
CLIENT :	
TOTAL :	
DRAWING TITLE :	
PALM POLE H-08M ST TYPE SOLAR CELL	
DATE	CLIENT APPROVAL
CAD	DESIGN
Auto CAD 2009	Risawan, W CHECK
DRAWING NO :	SHEET NO :
HELORI-H08-ST-SC	Dwi, Y Zulianto SHEET 1 of 1



CONNECTION BRACKET

CONNECTION BRACKET