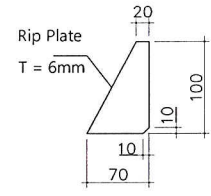
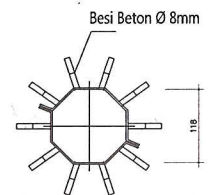
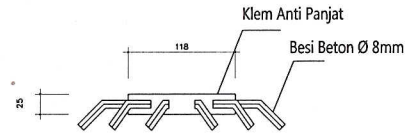


Det 4. Bracket Modul Solar Cell
SCALE 1 : 25

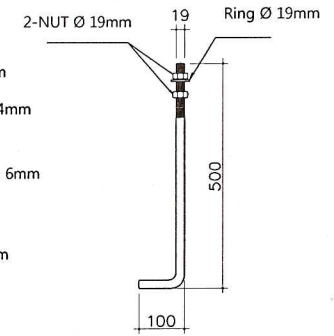
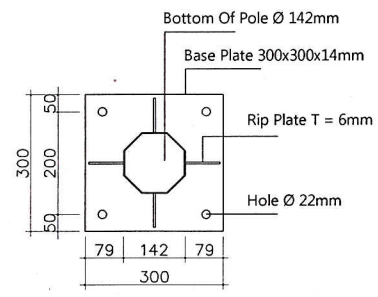
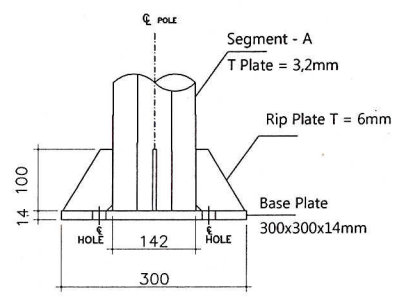
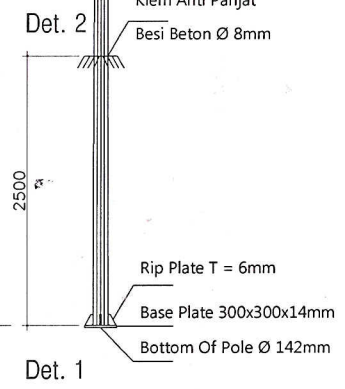
Det 4. Klem Ornament Lampu
SCALE 1 : 25



Det 2. Klem Anti Panjat
SCALE 1 : 25

Det 2. Klem Anti Panjat
SCALE 1 : 25

Det. Rip Plate
SCALE 1 : 25



Det 1. Base Plate
SCALE 1 : 25

Det 1. Base Plate
SCALE 1 : 25

Det. Anchor Bolt
SCALE 1 : 25

TIANG PJU H-09M DP TYPE SC
SCALE 1 : 100
OCTAGONAL

KETERANGAN

STANDART MUTU :

- ISO 9001 : 2008
- Plate Baja : ST 41 / SS 400
- Welding : Las Listrik
- Finishing Hot Dip Galvanize
- Segment System Slip Joint
- Segment A = 6000mm
- Segment B = 3300mm
- Bottom Of Pole Ø 142mm
- Base Plate 300x300x14mm

PRODUCTION :

JOB TITLE :

TECHNICAL SPECIFICATION

CLIENT :

TOTAL :

DRAWING TITLE :

TIANG PJU OCTAGONAL
H-09M DOUBLE PARABOLE

DATE	CLIENT APPROVAL	APPROVAL
CAD	DESIGN	CHECK
Auto CAD 2009	Dwi. Y	Efi