

KETERANGAN

STANDART MUTU :

- ISO 9001 : 2008
- Plate Baja : ST 41 / SS 400
- Welding : Las Listrik
- Finishing Hot Dip Galvanize
- Segment System Slip Joint
- Segment A = 2000mm
- Segment B = 3300mm
- Bottom Of Pole ϕ 130mm
- Base Plate 300X300X14mm

PRODUCTION :



PT. HELORI GRAHASARANA

JOB TITLE :

TECHNICAL SPECIFICATION

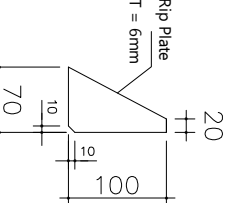
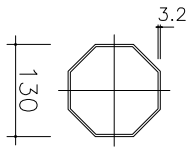
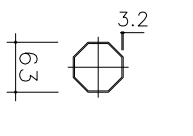
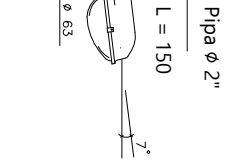
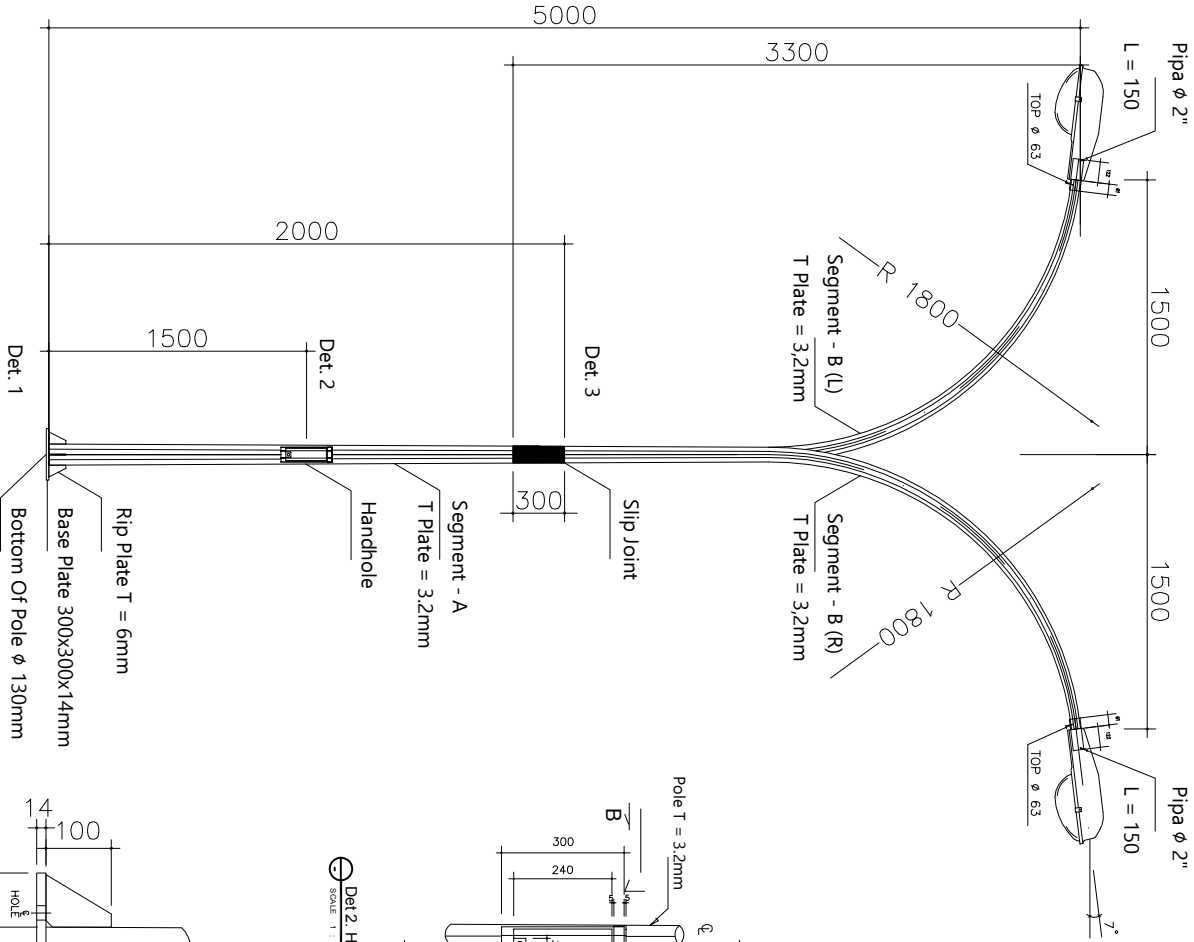
CLIENT :

QUANTITY :

DRAWING TITLE :

**TIANG PJU OCTAGONAL
H-05M DOUBLE PARABOLE**

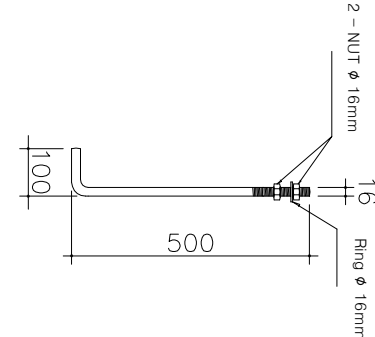
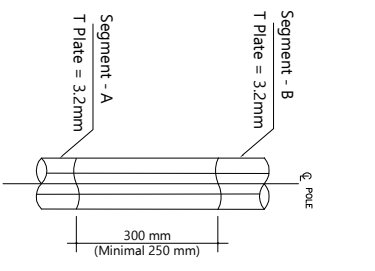
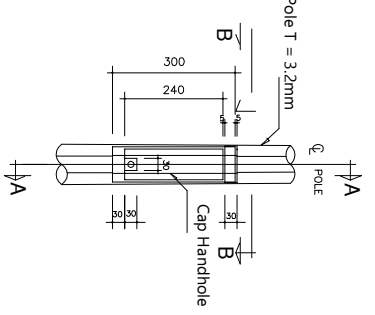
DATE	CLIENT APPROVAL	APPROVAL
CAD	DESIGN	Check
Auto CAD 2009		



Det. Top Of Pole
SCALE 1 : 25

Det. Bottom Of Pole
SCALE 1 : 25

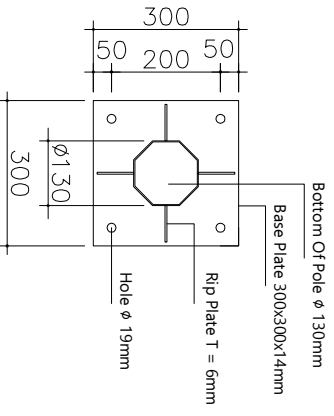
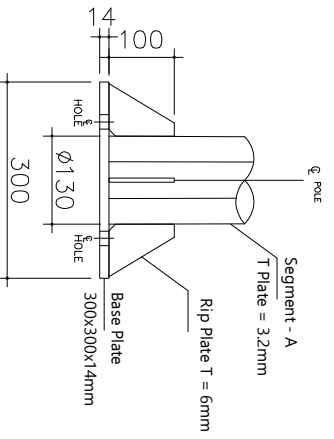
Det. Rip Plate
SCALE 1 : 25



Det.2. Handhole
SCALE 1 : 25

Det.3. Slip Joint
SCALE 1 : 25

Det. Anchor Bolt
SCALE 1 : 25



DET. 1 Base Plate
SCALE 1 : 25

DET. 1 Base Plate
SCALE 1 : 25

**TIANG PJU H-05M DOUBLE PARABOLE
OCTAGONAL**
SCALE 1 : 25

Det. 1

Det. 2

Det. 3