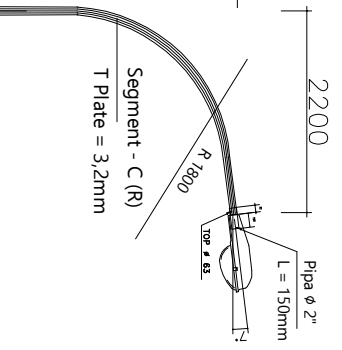
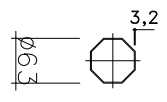


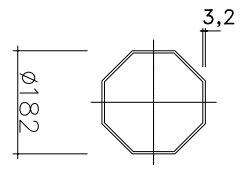
TIANG PJU H-13M SINGLE PARABOLE  
SCALE 1 : 25  
OCTAGONAL



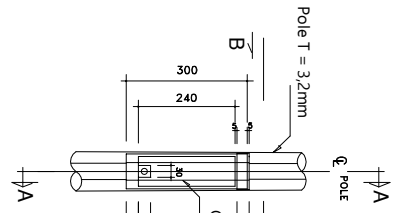
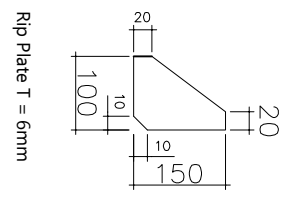
Det Top Of Pole  
SCALE 1 : 25



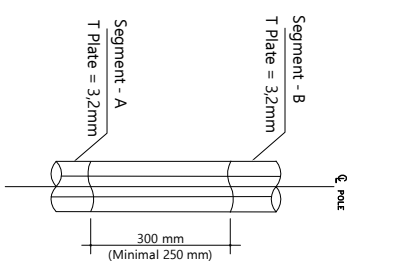
Det Bottom Of Pole  
SCALE 1 : 25



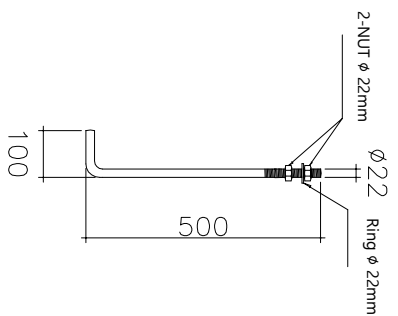
Det Rip Plate  
SCALE 1 : 25



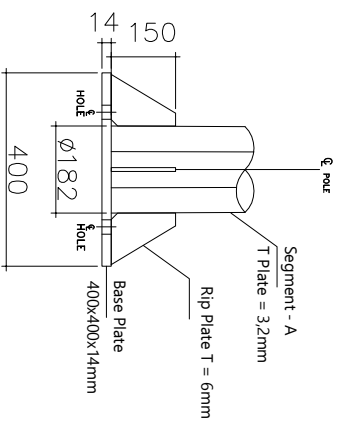
Det 2 Handhole  
SCALE 1 : 25



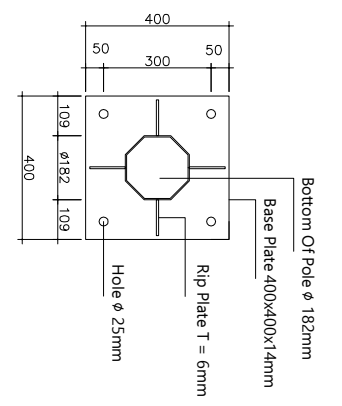
Det 3 Slip Joint  
SCALE 1 : 25



Det Anchor Bolt  
SCALE 1 : 25



DET 1 Base Plate  
SCALE 1 : 25



DET 1 Base Plate  
SCALE 1 : 25

**KETERANGAN**

- STANDART MUTU :
- ISO 9001 : 2008
  - Plate Baja : ST 41 / SS 400
  - Welding : Las Listrik
  - Finishing Hot Dip Galvanize
  - Segment System Slip Joint
  - Segment A = 5000mm
  - Segment B = 6000mm
  - Segment C = 2600mm
  - Bottom Of Pole  $\phi$  176mm
  - Base Plate 400x400x14mm

PRODUCTION :



PT. HELORI GRAHASARANA

JOB TITLE :

**TECHNICAL SPECIFICATION**

CLIENT :

PRODUCT :

**TIANG PJU OCTAGONAL  
H-13M SINGLE PARABOLE**

DATE	CLIENT APPROVAL	APPROVAL

CAD	DESIGN	CHECK
Auto CAD 2009	Zulianto	W. Ari W.

DRAWING NO : RL-SP-H13	SHEET NO : SHEET 1 OF 1
---------------------------	----------------------------