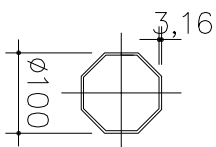
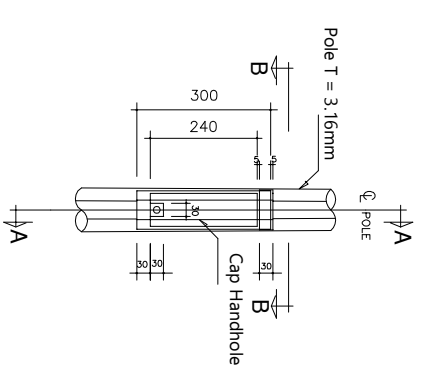
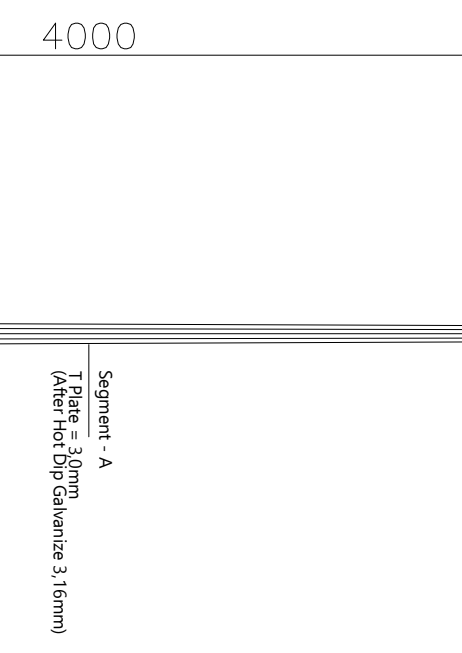


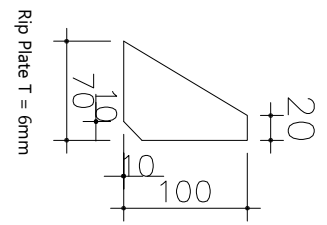
Det. Top Of Pole
SCALE 1 : 25



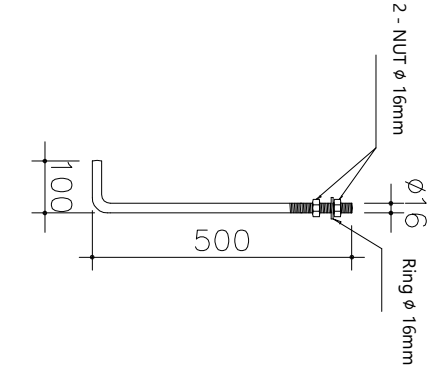
Det. Bottom Of Pole
SCALE 1 : 25



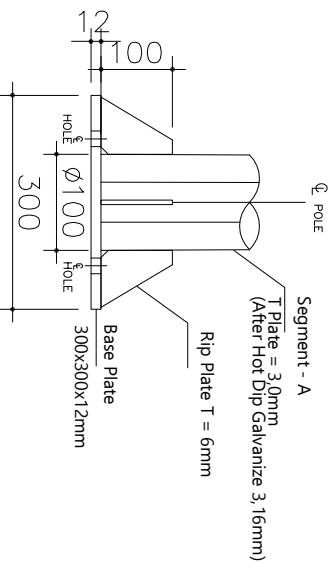
Det.2. Handhole
SCALE 1 : 25



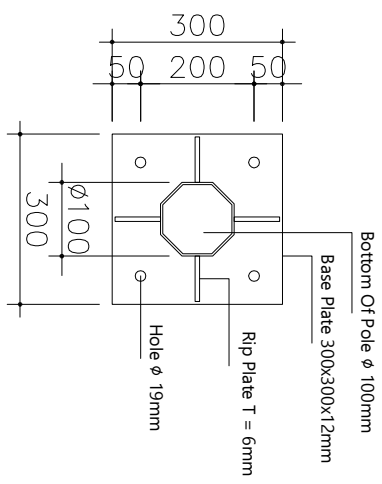
Det. Rip Plate
SCALE 1 : 25



Det. Anchor Bolt
SCALE 1 : 25



DET. 1 Base Plate
SCALE 1 : 25



DET. 1 Base Plate
SCALE 1 : 25

TIANG PJU H-04 M SINGLE T
SCALE 1 : 25
OCTAGONAL

KETERANGAN

STANDART MUTU :

- ISO 9001 : 2008
- Plate Baja : ST 41 / SS 400
- Welding : Las Listrik
- Finishing Hot Dip Galvanize
- Segment A = 4000mm
- Top Of Pole ϕ 85mm
- Bottom Of Pole ϕ 100mm
- Anchor Bolt ϕ 16mm
- Base Plate 300x300x12mm

PRODUCTION :



PT. HELORI GRAHASARANA

JOB TITLE :

TECHNICAL SPECIFICATION

CLIENT :

QUANTITY :

DRAWING TITLE :

**TIANG PJU OCTAGONAL
H-04M SINGLE T**

DATE	CLIENT APPROVAL	APPROVAL
CAD	DESIGN	CHECK
Auto CAD 2016		

Reawan W.